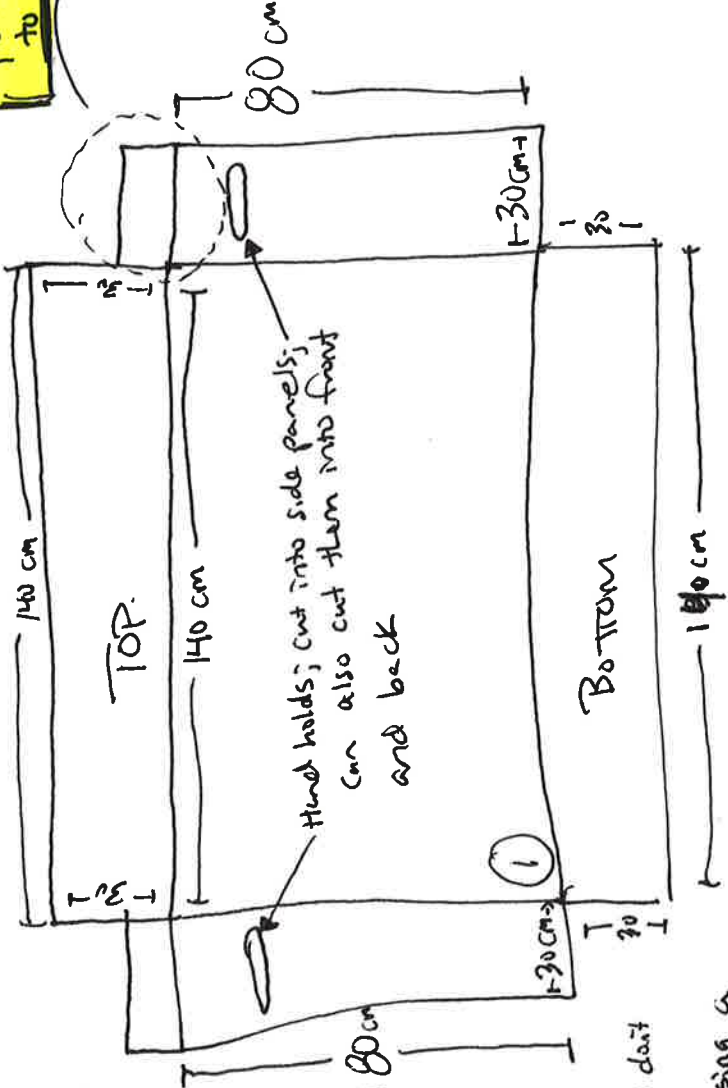
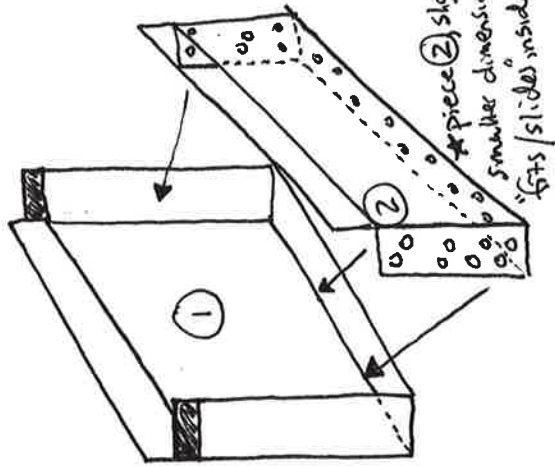


2:5x10, 6 mm thick corrugated plastic sheets; allow you to fashion box out of two solid panels



Hand holds; cut into side panels; can also cut them into front and back

Construction:

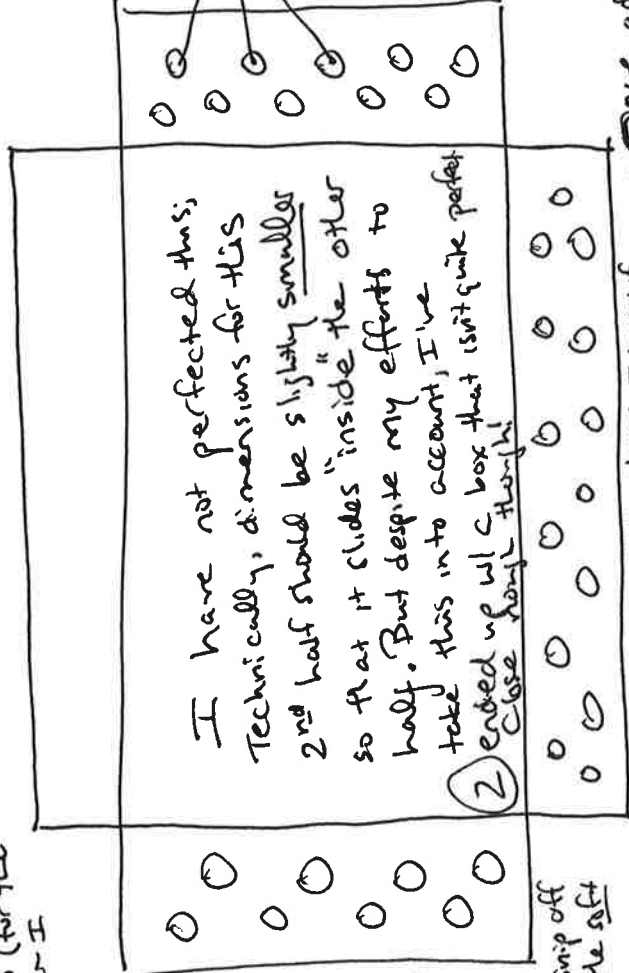
- In reality, the 2 pieces don't slide together
- I cut all the pieces using a tool similar to the "Cora-Claw" (google it) - I've also used an exacto (for the holes) + a table saw when I can.

- I start by adhering the bottoms together: find that many plastic adhesives don't work well; have had success w/ heavy duty liquid nails
- Apply adhesive and I use a drill + rivets to really bond it all: 6 rivets on bottom 4 rivets for sides.

- I have found that rivets for doesn't cleanly cut trails of rivets off (trails pointing inside box); strip off (trails) - Think it's b/c of the nature of plastic? - I cover the cut nubs of tail w/ glob of liquid nails to protect contents of box

Personal preference; a partial side flap here keeps box a bit drier, and a tiny bit of extra support for lid; I've also made one w/o these flaps, and it's fine. (+ lighter)

I have cut holes out of the inside flaps; esp. on the side panels; doesn't sand like mud, but you can definitely cut some measurable curves of weight out.



- Once adhesive on & rivets in, I put weight on it to "clump" it until solid and dry.
- Repeat for the sides.
- Duct tape seams to seal
- Rivets = lightest hardware I know of vs. screws/nuts - Do use washers w/ rivets or they will tear through.